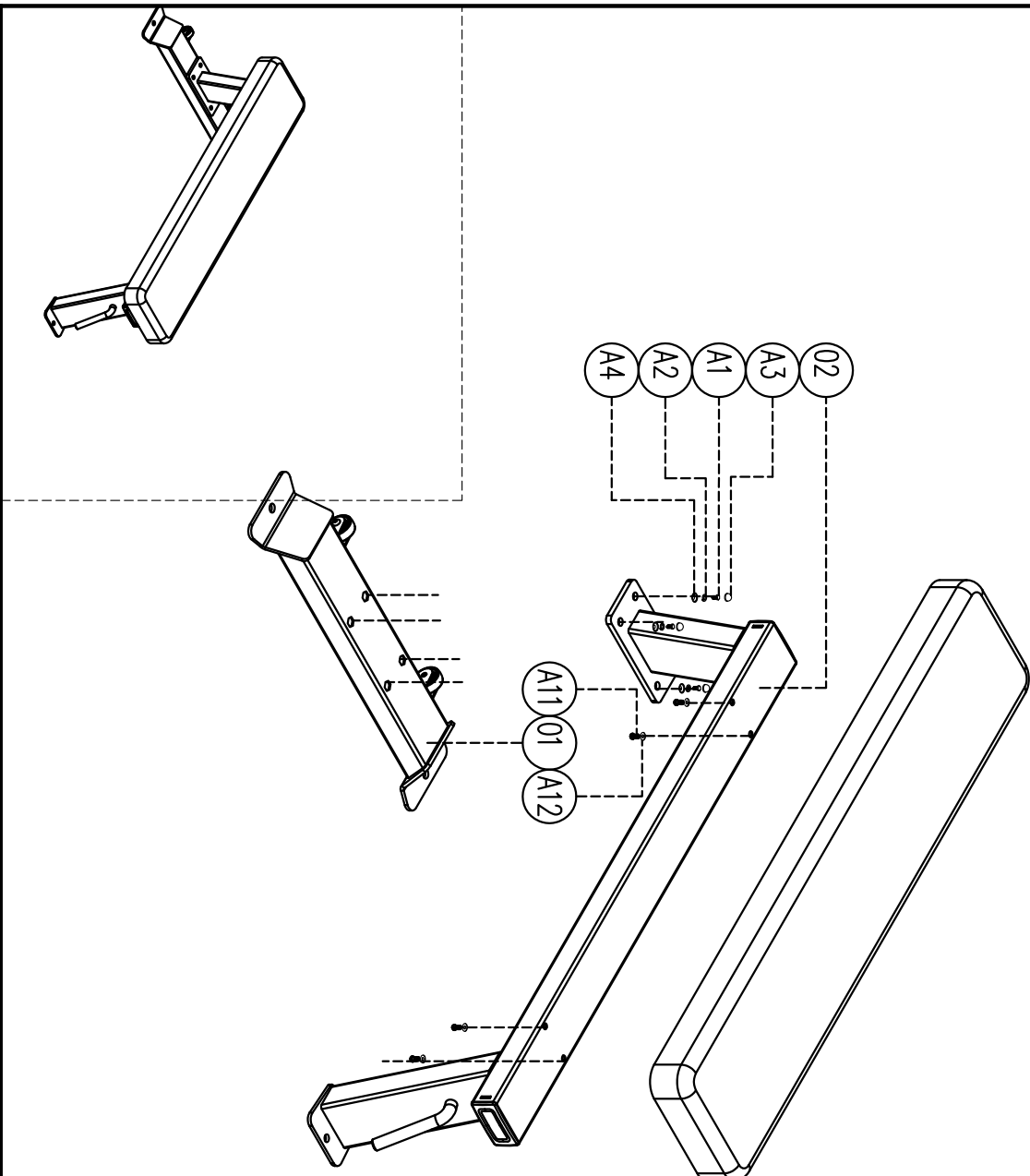


# Exploded

E3008 FLAT BENCH

please note :parts didn't demollitione part and fasteners not listide on the introduction



Number	Name	Quantity
A16	Flat washer $\Phi 10$	4
A15	Cup head timer hex screw M10 $\times$ 20	4
A4	Gasket DQ003	4
A3	Screw cap S208	4
A2	Spring washer $\Phi 12$	4
A1	Outer hex screw M12 $\times$ 35	4
02	Main Frame	1
01	Bottom frame	1
Number	Name	Quantity